

# MWS Moving Wire Seals: The Industrial Baby Nipple®

Roth Technologies, LLC offers a superior alternative to the use of baby nipples in manufacturing processes by providing an optimized system (design AND material selection) for industrial applications. We refer these items as Moving Wire Seals.

- Moving Wire Seals (MWS) are utilized for sealing a moving wire entering the bottom of an application bath containing liquid materials such as PTFE in dispersion.
- MWS units also find applicability in the chemical etching of PTFE on a wire. MWS units are used to seal a length of stainless steel tube (both ends) containing a heated chemical solution (such as Fluoroetch®) allowing the PTFE coated wire to pass through the solution.

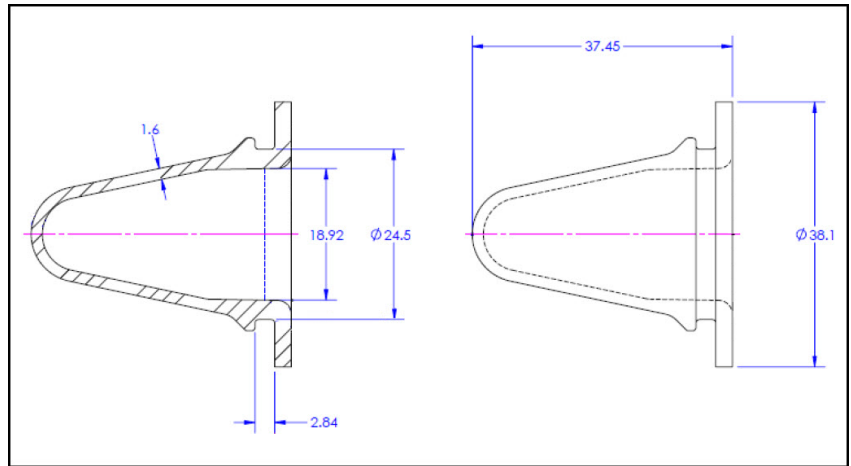
Our design has optimized the configuration for industrial applications by the following:

1. Our MWS units are made from engineering materials. As a result, they offer superior chemical resistance to chemicals and solvents.

2. Our MWS units are made from materials that were identified and certified as being free of Biosphenol A (BPA) allowing their use in the manufacturing of medical devices.

3. Our MWS units have been optimized to eliminate longitudinal stretching in the direction the wire is moving. Off the shelf rubber baby nipples have a thinned wall section in their design which causes them to stretch/recover repeatedly which may cause issues during the manufacturing process.

4. Our MWS units have been manufactured without the hole. This allows the end user to put the proper hole size in the MWS unit to optimize the moving wire seal.



**Current Pricing for MWS Units for January 1st, 2025 - December 31st, 2025. The MOQ and price applies only to customers located and ship location are within the continental USA. Contact us for a custom quote if you are an international customer.**

**NOTE: Due to the USA tariff situation we are limiting sales of MWS units to our most purchased part number, MWS-004. We have sufficient inventory of this part number to maintain our current price for 2025 and will review in 2026.**

Part Number	Material	Temp Range	Chemical Resistance	Color	Duro	Qty	Price	Packaging
MWS-004	EPDM	-70 to 250 deg F	Excellent chemical resistance on the great majority of applications including acids, alkalis, salts and many others at temperatures up to 90°C (194°F). Weak on organic compounds and cannot be used on fats and petroleum oils.	Black	35A	100	\$1.50 each	Bulk Packaging